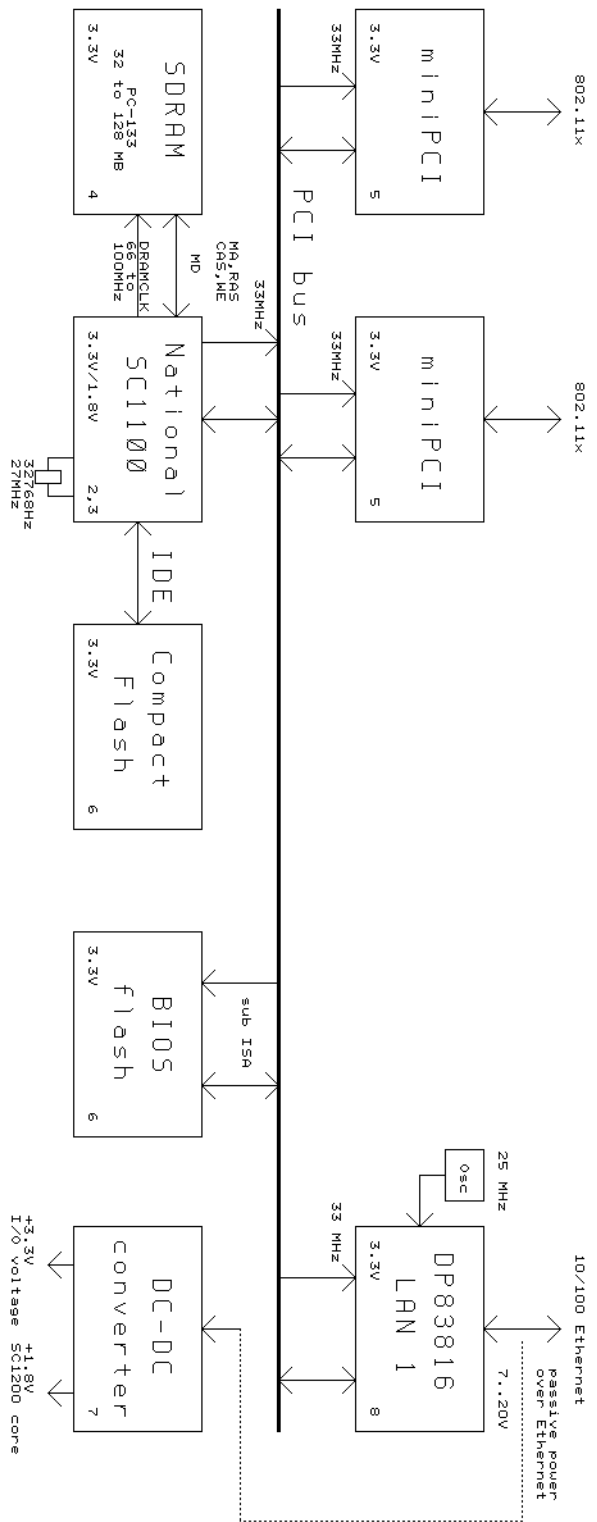


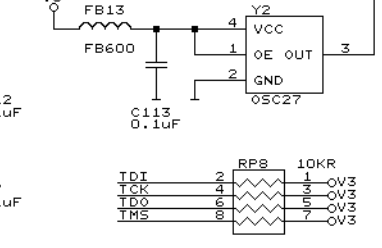
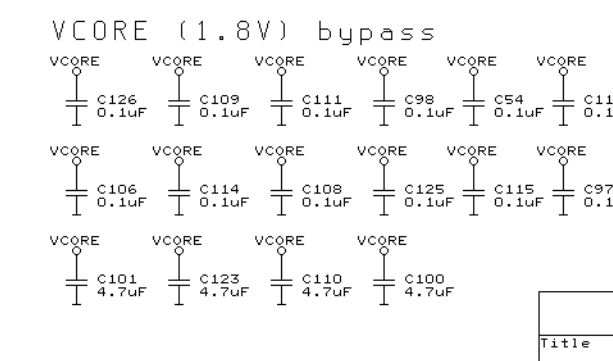
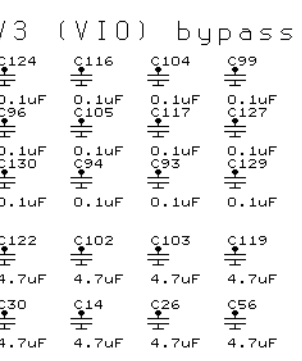
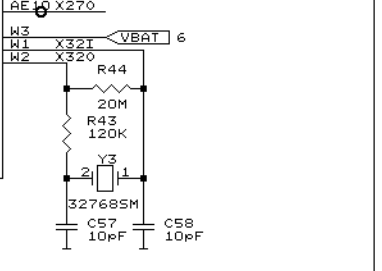
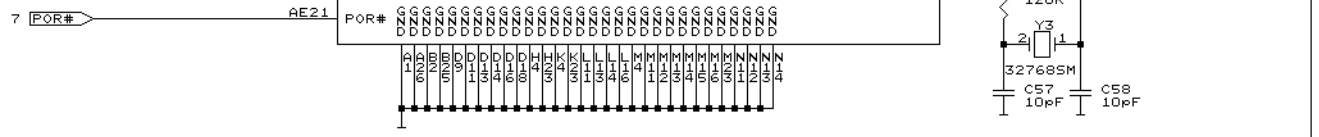
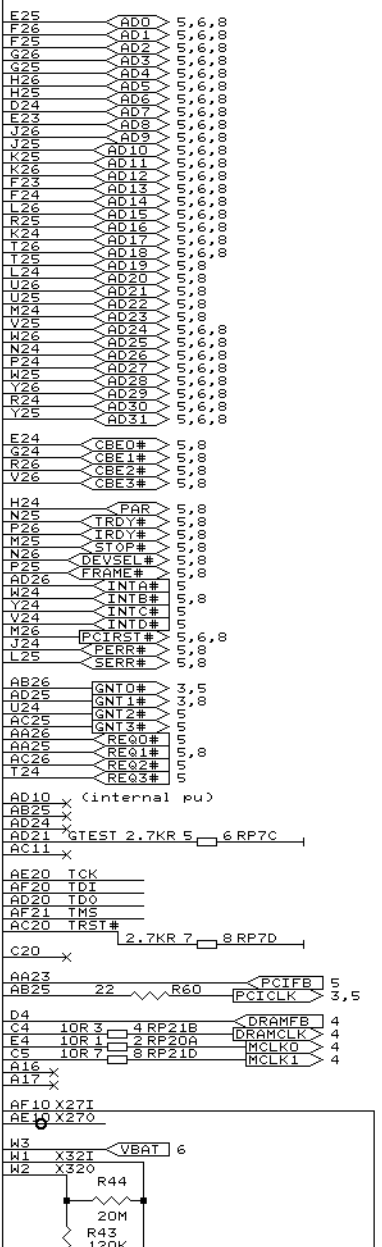
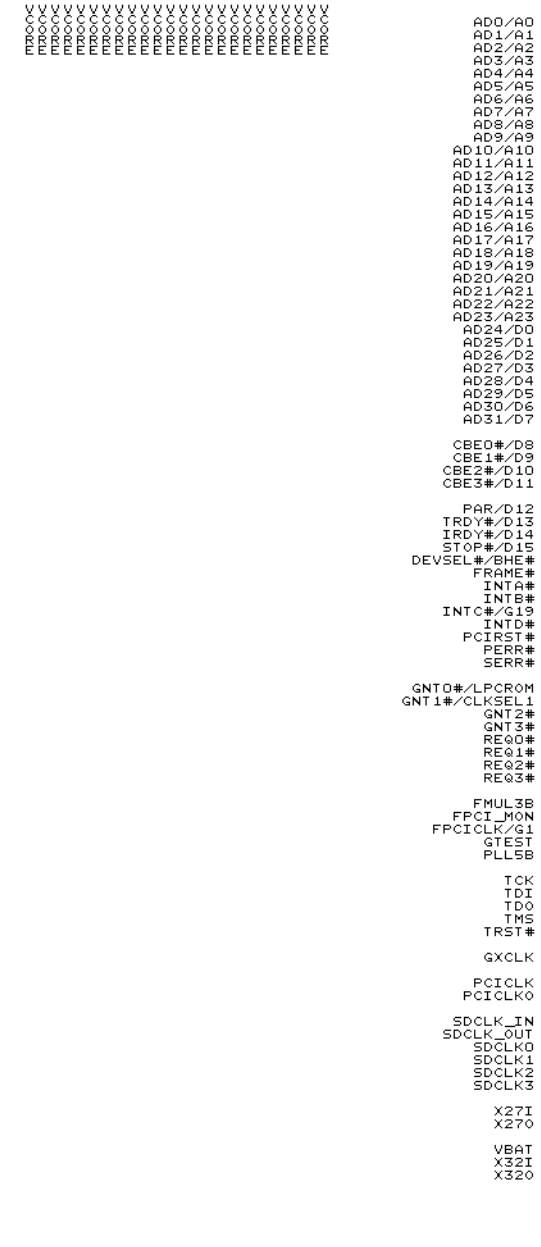
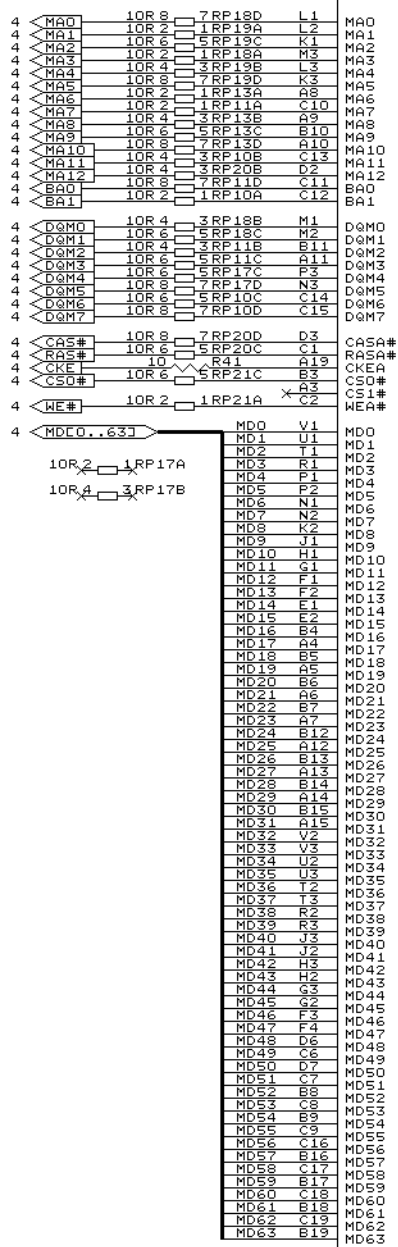
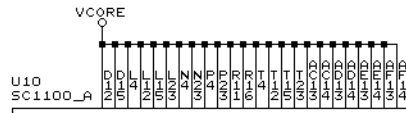
# SC1100 wireless router platform



!LINK  
!2.SCH  
!3.SCH  
!4.SCH  
!5.SCH  
!6.SCH  
!7.SCH  
!8.SCH

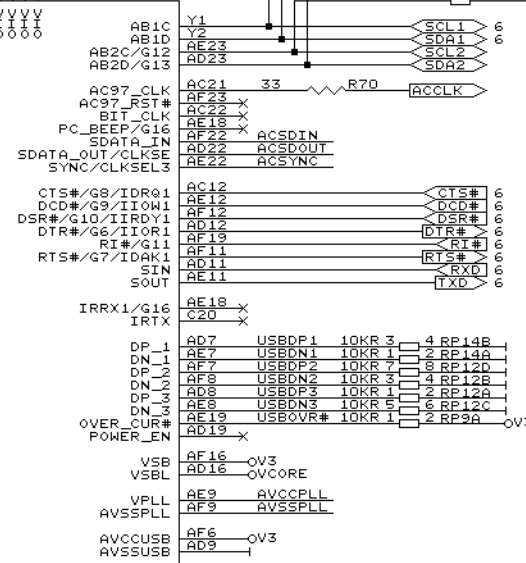
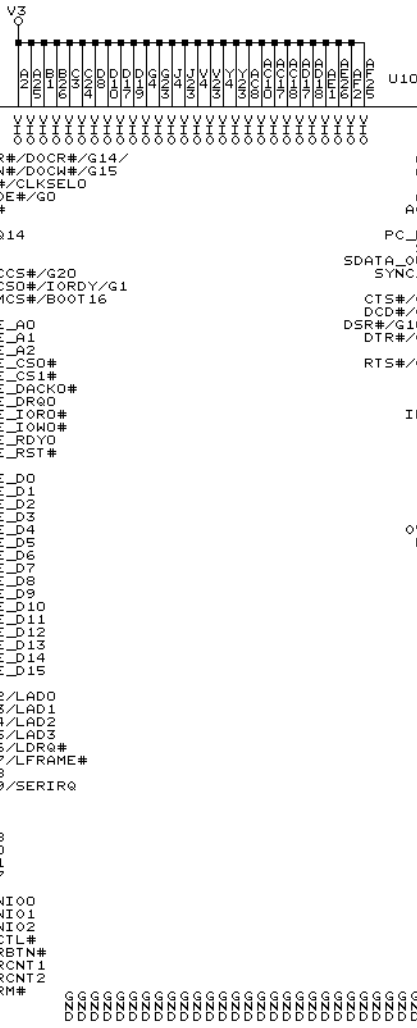
PC Engines GmbH	
CONFIDENTIAL	
Title Block Diagram	
Size Document Number	MRAP
REV	2C
Date: November 29, 2003	Sheet 1 of 8

Option A == 233 MHz CPU  
 Option B == 266 MHz CPU



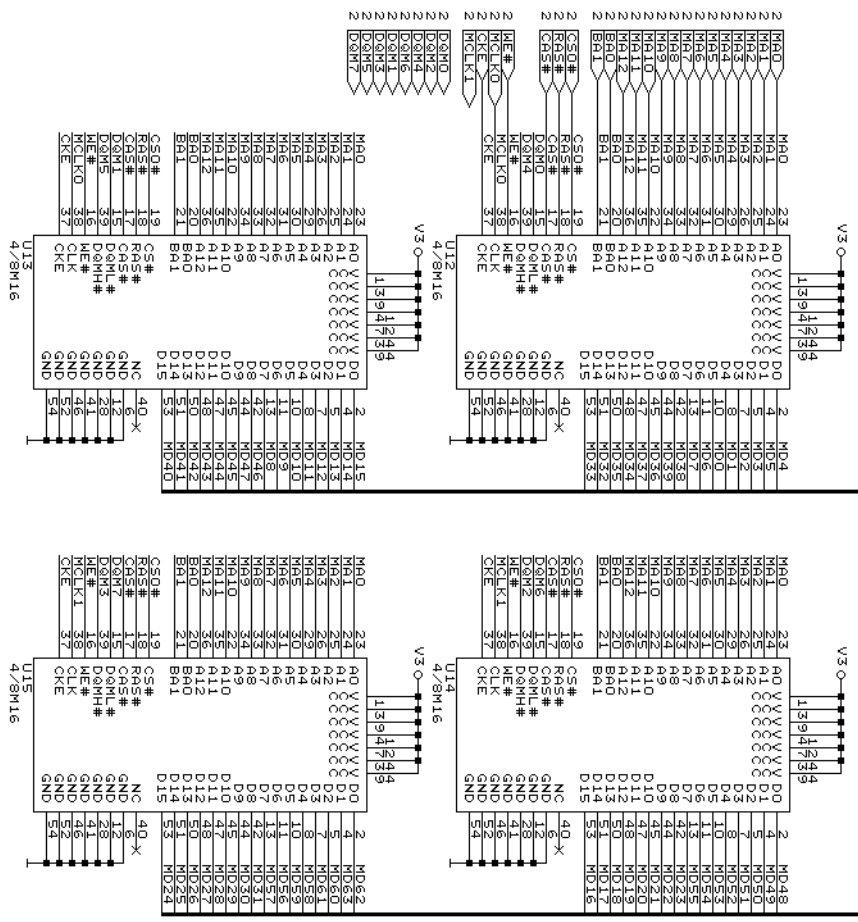
PC Engines GmbH			
CONFIDENTIAL			
Title			
National SC1100 CPU (1)			
Size	Document Number	WRAP	REV
A			2C
Date:	December 3, 2003	Sheet	2 of 8

(DOCCS# p.u. in reference)  
 (RD# p.u. in ref, but strap !)  
 WR# 10K R67 OV3

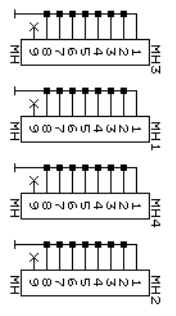


Option C = 4Mx16 DRAM (32MB)  
 Option D = 8Mx16 DRAM (64MB)  
 Option E = 16Mx16 DRAM (128MB)

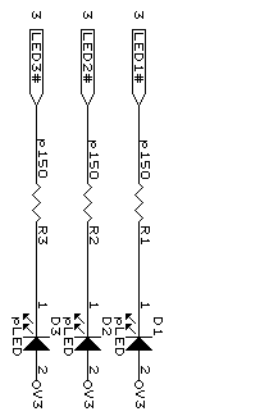
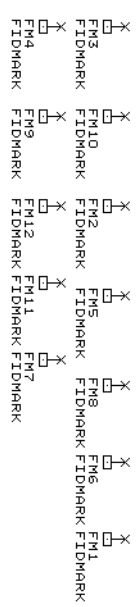
2 MCLK0..633



Mounting holes

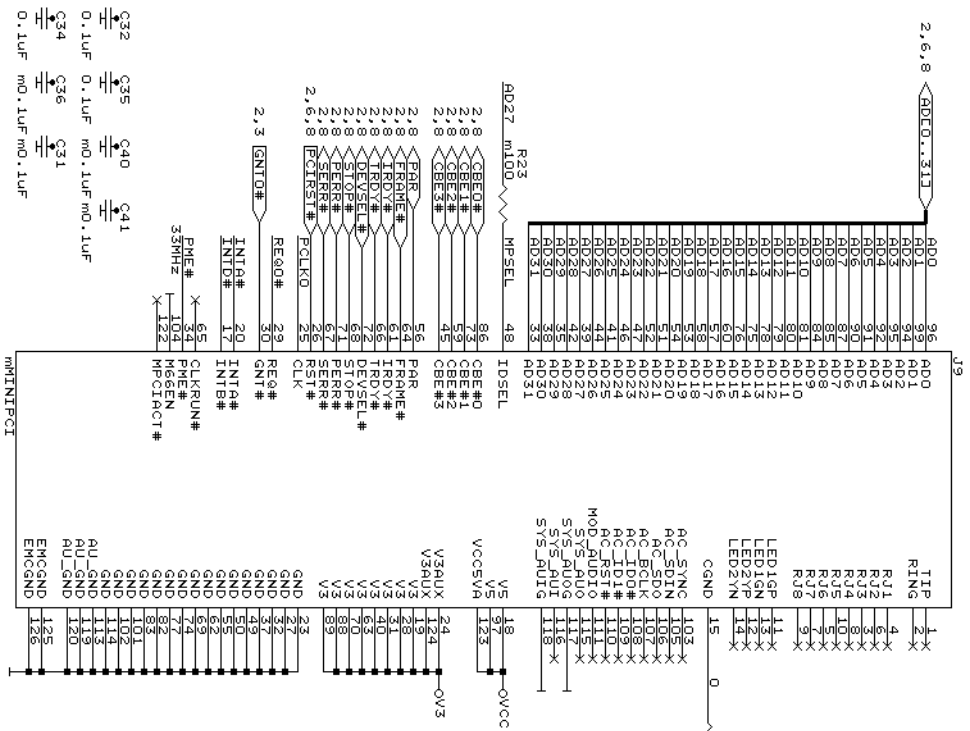


Fiducial marks

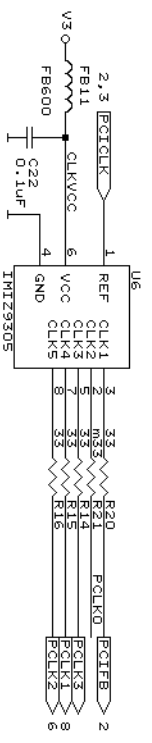


- Q141 Q138 Q135 Q137
- Q131 Q133 Q140 Q136
- Q134 Q132 Q139 Q142
- Q64 Q66 Q67 Q65

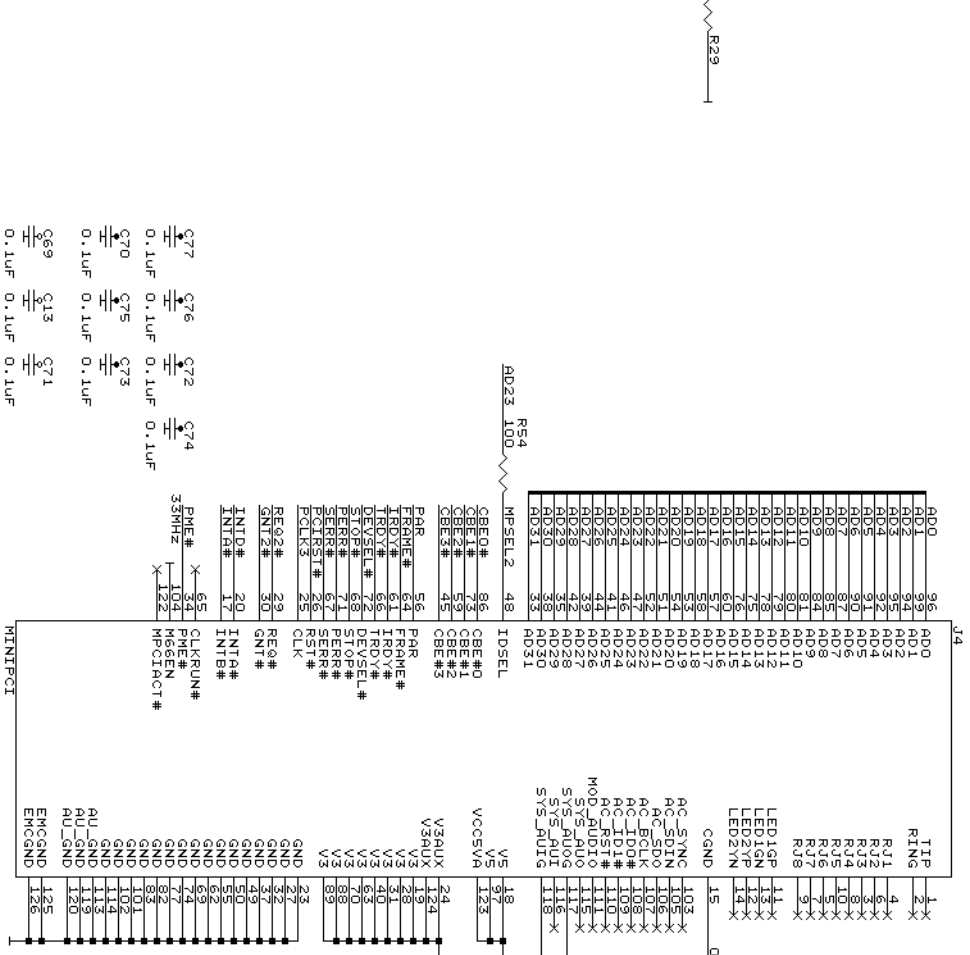
MINIPCI 2



PCI clock buffer

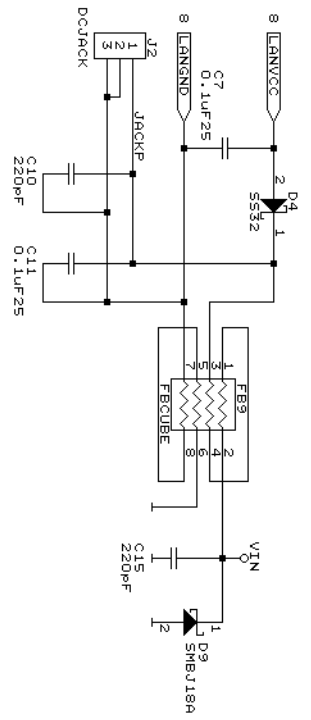


MINIPCI 1

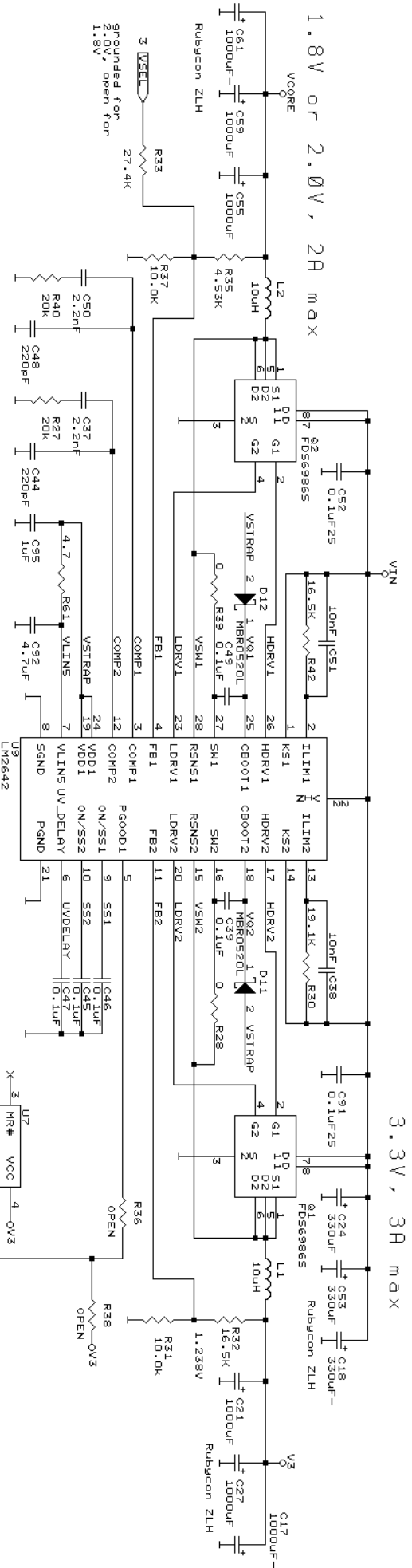




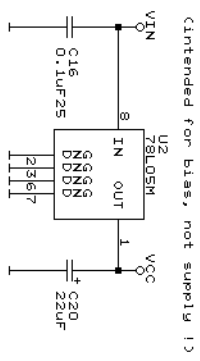
Power input  
+7..20V



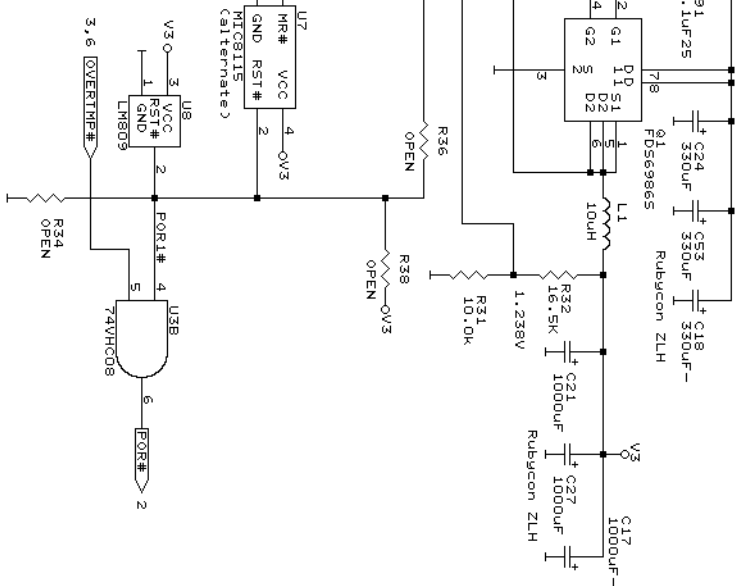
1.8V or 2.0V, 2R max



5V, 100mA max



3.3V, 3R max

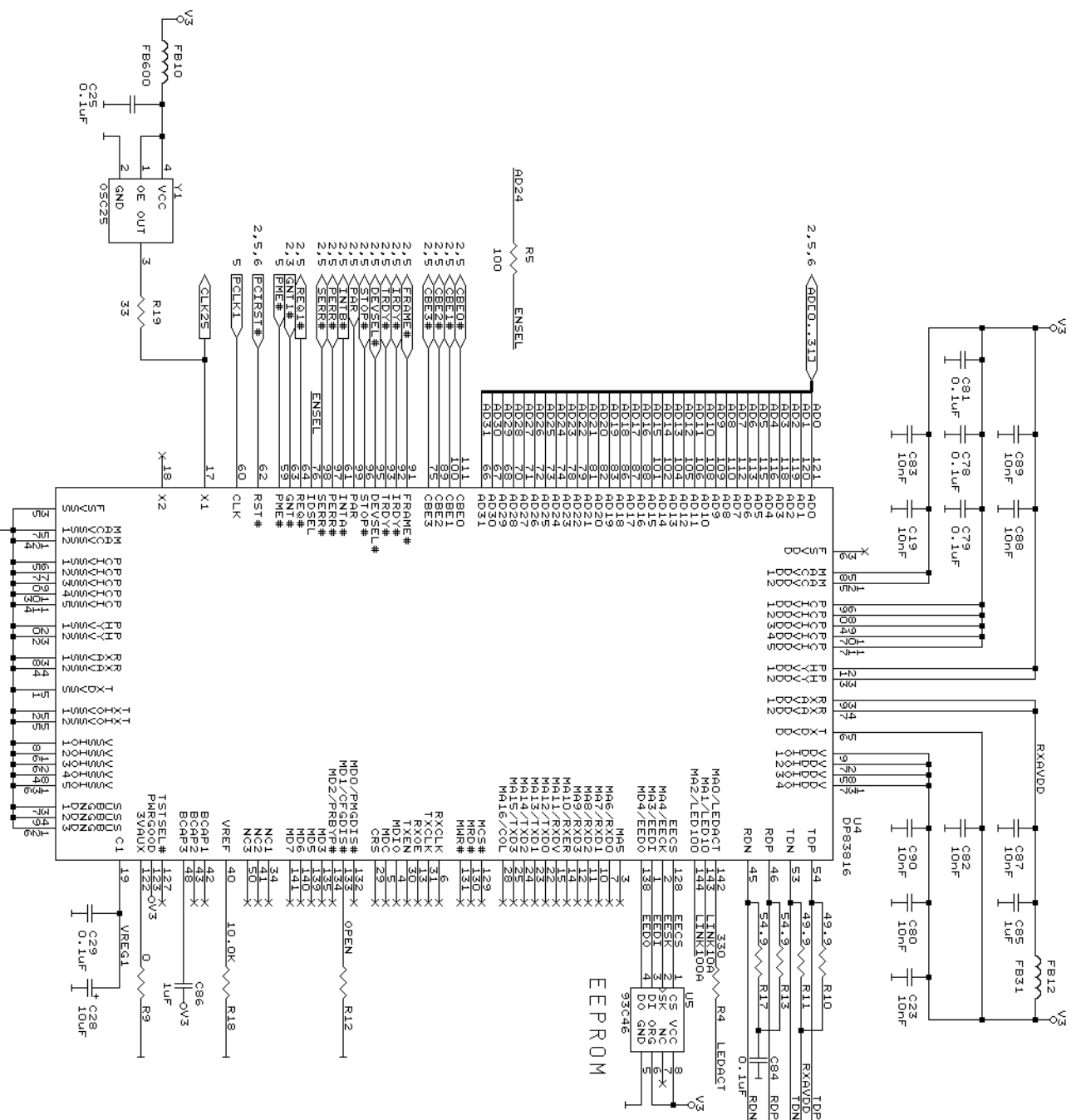


V3 3.3V discharge helps avoid reset problems

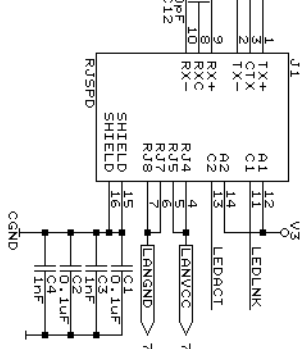
R7 150\_1206

Title	PC Engines GmbH
Size	CONFIDENTIAL
Document Number	Power supply
MRAP	MRAP
Date:	June 30, 2004 Sheet 7 of 8

DP83816 10/100 Ethernet



magnetics + RJ45



ESD diodes

